



VTP SERIES VACUUM POWER UNITS

ACS Group • Walton/Stout's VTP Series vacuum pump uses a positive displacement blower and is intended to convey pellets and regrind over long distances. It features continuous conveying with atmospheric relief for high conveying rates, vacuum gauge on pump for monitoring vacuum level, and high vacuum relief for safe operation.

Available in 20-30 hp models.



VTP Series

STANDARD FEATURES

- Positive displacement blower
- 460/3/60 totally-enclosed fan-cooled (TEFC) motor
- Atmospheric vent valve
- Adjustable motor mount
- NEMA-12 junction box with starter mounted on unit
- Vacuum gauge
- Mechanical high vacuum relief valve
- High vacuum safety switch
- Premium discharge silencer

OPTIONAL FEATURES

- Sound enclosure
- Fused disconnect
- NEMA 4 junction box
- 208/3/60, 230/3/60, 380/3/50, 415/3/50, 575/3/60 voltage
- Re-sheave power unit
- Self-cleaning cyclone/cartridge combination filter is also available with optional compressed air cleaning
- Retrofit junction box to convert old-style or other manufacturers' vacuum power units to use new VacTrac controllers. Specify HP and voltage when ordering

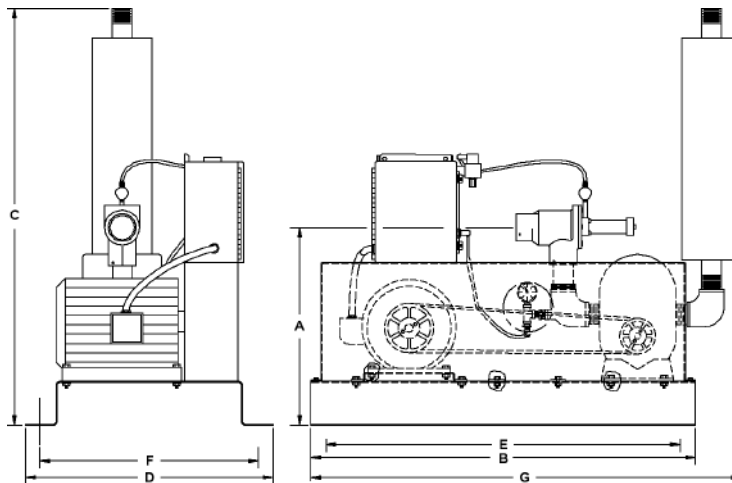
SPECIFICATIONS

Model	HP (kW)	Line Size OD in. (mm)	Air Flow cfm (cmh)	Amp Draw 230 V	Amp Draw 460 V	Amp Draw 575 V	Shipping Weight lbs. (kg)
VTP20	20 (14.9)	4 (101.6)	475 (805)	49.6	24.8	19.8	1600 (727)
VTP30	30 (22.4)	5 (127)	665 (1127)	76.3	38.1	30.4	1700 (789)

Rated performance is at standard atmosphere and sea level conditions. High elevation affects system performance.
 Note: 3.5" OD is equivalent to 3" Sch. 5; 4.5" OD is equivalent to 4" Sch. 10

Model	Recommended Vacuum Receivers, cu. ft. (l)
VTP20	3.0, 6.0 (84.9, 169.9)
VTP30	3.0, 6.0 (84.9, 169.9)

DIMENSIONS



Model	A in. (cm)	B in. (cm)	C in. (cm)	D in. (cm)	E in. (cm)	F in. (cm)	G in. (cm)
VTP20	32 (81)	56 (142)	65 (178)	32.5 (82)	53 (134)	31 (79)	60 (167)
VTP30	38 (97)	50 (127)	85 (216)	37.25 (95)	48.25 (123)	35.75 (91)	69.3 (176)